

Luminaire Specification

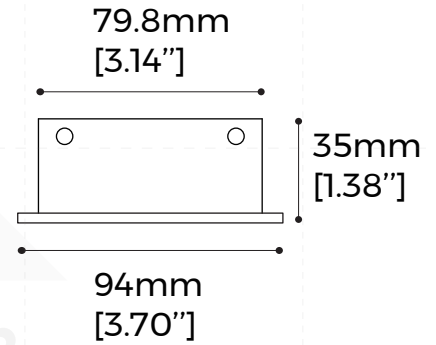
# BE9435FP\_Luminaire

— BASIC series



## [Features]

- Material: AL6063-T5, spraying surface / anodizing
- Coating: Silver anodized (RAL9006), Black (RAL9005), White (RAL9003)
- Lighting direction: downward
- Light efficiency: 95 LM/W
- U G R: UGR<19(X=4H,Y=8H)
- Dimming method: Non/ DALI-2+PUSH/ 1-10V optional
- Length: 1200mm/1800mm optional, (other length on request)
- SDCM≤3(ANSI)
- CRI:80/90
- CCT:2700/3000/3500/4000/5000/6500K optional
- Input voltage: AC220-240V
- Application: Indoor
- Installation method: Recessed
- IP grade: IP20
- Certification: CB, CE, UKCA, ROHS, Reach
- Warranty: 5 years



## [Photo-electric parameters]

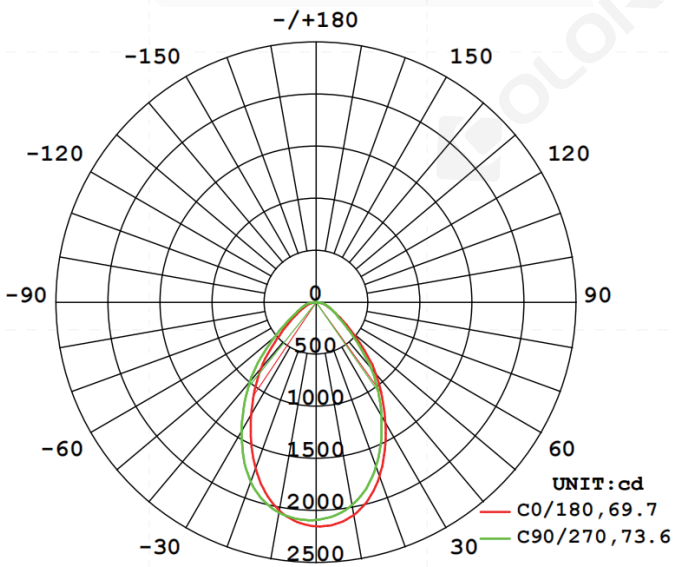
Version	Model	Length	Input Voltage (V)	Max. Current (A)	Type Power (W)	Max. Power (W)	CRI	CCT	Lumen (LM)
Normal	LLS-BE9435FPXSS1200(N)	1200mm [3.94ft]	220VAC~240VAC	0.17 [0.04A/ft]	34 [8.60W/ft]	37 [9.39W/ft]	>80	2700K	3040 [770LM/ft]
								3000K	3110 [790LM/ft]
								3500K	3160 [800LM/ft]
								4000K	3280 [830LM/ft]
								5000K	3280 [830LM/ft]
								6500K	3280 [830LM/ft]
							>90	2700K	2560 [650LM/ft]
								3000K	2610 [660LM/ft]
								3500K	2680 [680LM/ft]
								4000K	2800 [710LM/ft]
								5000K	2800 [710LM/ft]
								6500K	2800 [710LM/ft]

Normal	LLS-BE9435FPXSS1800(N)	1800mm [5.91ft]	220VAC~ 240VAC	0.24 [0.04A/ft]	51 [8.63W/ft]	56 [9.48W/ft]		2700K	4550 [770LM/ft]
								3000K	4660 [790LM/ft]
								3500K	4730 [800LM/ft]
								4000K	4910 [830LM/ft]
								5000K	4910 [830LM/ft]
								6500K	4910 [830LM/ft]
								>80	
								2700K	3830 [650LM/ft]
								3000K	3900 [660LM/ft]
								3500K	4010 [680LM/ft]
								4000K	4190 [710LM/ft]
								5000K	4190 [710LM/ft]
6500K	4190 [710LM/ft]								
>90									
2700K	3830 [650LM/ft]								
3000K	3900 [660LM/ft]								
3500K	4010 [680LM/ft]								
4000K	4190 [710LM/ft]								
5000K	4190 [710LM/ft]								
6500K	4190 [710LM/ft]								

Note:

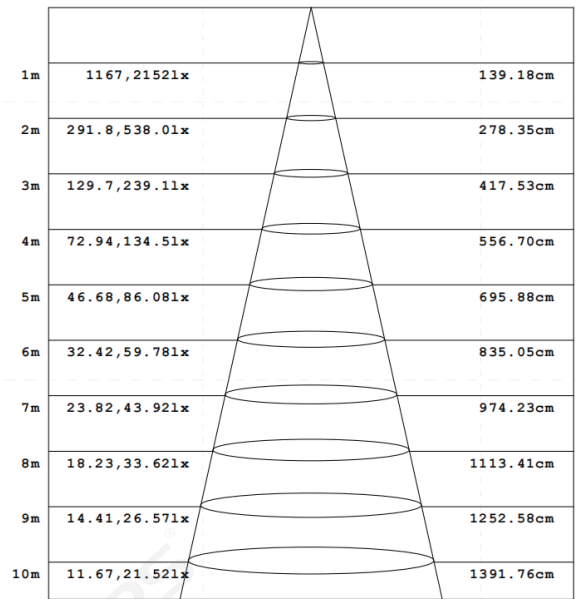
1. The above parameters were tested based on 1.2M(3.94') standard products;
2. luminous flux is allowed to have a  $\pm 10\%$  error range;
3. The above parameters are typical values.

### 【Optical Parameter】



luminous intensity  
distribution diagram

Flux out: 1798 lm



Note: The Curves indicate the illuminated area and the average illumination when the luminaire is at different distance.

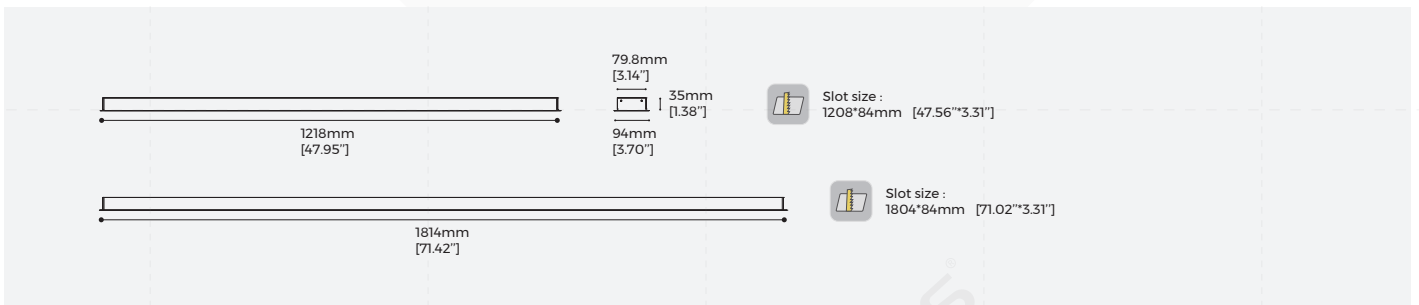
AAI Figure

## 【Product UGR】


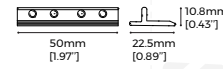




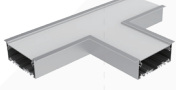

ceiling/cavity	0.7	0.7	0.5	0.5	0.3	0.7	0.7	0.5	0.5	0.3	
walls	0.5	0.3	0.5	0.3	0.3	0.5	0.3	0.5	0.3	0.3	
working plane	0.2	0.2	0.2	0.2	0.2	0.2	0.2	0.2	0.2	0.2	
Room dimensions	Viewed crosswise					Viewed endwise					
x = 2H y = 2H	14.6	15.8	14.8	16.0	16.2	14.2	15.5	14.5	15.7	15.9	
3H	15.1	16.2	15.4	16.5	16.7	14.9	16.1	15.2	16.3	16.5	
4H	15.4	16.5	15.7	16.7	17.0	15.3	16.4	15.6	16.6	16.9	
6H	15.6	16.7	16.0	16.9	17.2	15.6	16.6	15.9	16.9	17.2	
8H	15.7	16.7	16.1	17.0	17.3	15.7	16.7	16.0	17.0	17.3	
12H	15.8	16.7	16.1	17.0	17.3	15.7	16.7	16.1	17.0	17.3	
4H	2H	14.8	15.9	15.1	16.1	16.4	14.5	15.6	14.8	15.8	16.1
	3H	15.5	16.5	15.9	16.8	17.1	15.4	16.4	15.8	16.7	17.0
	4H	16.0	16.8	16.3	17.2	17.5	15.9	16.8	16.3	17.1	17.5
	6H	16.4	17.1	16.8	17.5	17.9	16.4	17.1	16.8	17.5	17.9
	8H	16.5	17.2	17.0	17.6	18.0	16.6	17.3	17.0	17.6	18.0
	12H	16.6	17.3	17.1	17.7	18.1	16.6	17.3	17.1	17.7	18.1
8H	4H	16.2	16.9	16.6	17.3	17.7	16.1	16.8	16.6	17.2	17.6
	6H	16.8	17.3	17.2	17.8	18.2	16.8	17.3	17.2	17.8	18.2
	8H	17.0	17.5	17.5	18.0	18.4	17.0	17.5	17.5	18.0	18.4
	12H	17.2	17.6	17.7	18.1	18.6	17.2	17.6	17.7	18.1	18.6
12H	4H	16.2	16.8	16.6	17.2	17.6	16.1	16.8	16.6	17.2	17.6
	6H	16.8	17.3	17.3	17.8	18.3	16.8	17.3	17.3	17.8	18.3
	8H	17.1	17.6	17.6	18.0	18.5	17.1	17.6	17.6	18.1	18.5
Variations with the observer position at spacings:											
S = 1.0H	+ 0.7 / - 0.7					+ 0.6 / - 0.7					
1.5H	+ 0.4 / - 0.6					+ 0.5 / - 0.7					
2.0H	+ 1.2 / - 0.9					+ 1.0 / - 0.9					

CIE Pub.117, 3282 lm Total Lamp Luminous Flux Correct ( $8\log(F/F_0) = 4.1$ )

## 【Product mechanical data】



## [Product Accessories Information]

Picture	Section size	Name	Description	Model	Note
		Splicing bar	Size: L50*W22.5*H10.8mm [Inch size: L1.97**W0.89**H0.43"]	EX-17	Splicing Accessories
	/	Recessed buckle	Size: L68.5*W35*H31.6mm [Inch size: L2.70**W1.38**H1.24"]	RB-02	Installation Accessories
	/	L shaped corner	Without lighting source; Size: L150*W150*H35mm [Inch Size: L5.91**W5.91**H1.38"]	L90-BE9435	Customizable interconnected corners
	/	L shaped corner (light from outward)	Without lighting source; Size: L150*W150*H94mm [Inch Size: L5.91**W5.91**H3.70"]	L90W-BE9435	
	/	L shaped corner (light from inward)	Without lighting source; Size: L150*W150*H94mm [Inch Size: L5.91**W5.91**H3.70"]	L90N-BE9435	
	/	T shaped corner	Without lighting source; Size: L300*W197.5*H35mm [Inch Size: L11.81**W7.78**H1.38"]	T90-BE9435	
	/	X shaped corner	Without lighting source; Size: L300*W300*H35mm [Inch Size: L11.81**W11.81**H1.38"]	X90-BE9435	

## [Packing]

Model	Dimension (mm)	Quantity /box	Quantity /carton	NW (kg)	NW /carton/(kg)	CW (kg)	Carton size (mm)
LLS-BE9435FPXSS1200(N) -T34NW8D-DC	1218*94*35 [47.95"*3.70"*1.38"]	1	4	1.70	6.80	11.5	1298*278*149 [51.10"*10.94"*5.87"]
LLS-BE9435FPXSS1800(N) -T51NW8D-DC	1814*94*35 [71.42"*3.70"*1.38"]	1	4	2.40	9.60	16.0	1894*278*149 [74.57"*10.94"*5.87"]

## [Attentions]

1. Non-professionals are prohibited from installing, disassembling and repairing the product.
2. Avoid scratching, distortion and irregular bending of the product during installation; otherwise it may cause irreparable damage to the product.
3. Please use professional cutting tools when cutting
4. Do not use any acid or alkaline adhesive to fix products
5. The product is only suitable for indoor dry places, can not be used in outdoor, seaside or wet environment.
6. PC features: Each 10°C rise or drop will make diffuser extend or shrink 0.8mm/m, please confirm before processing and use